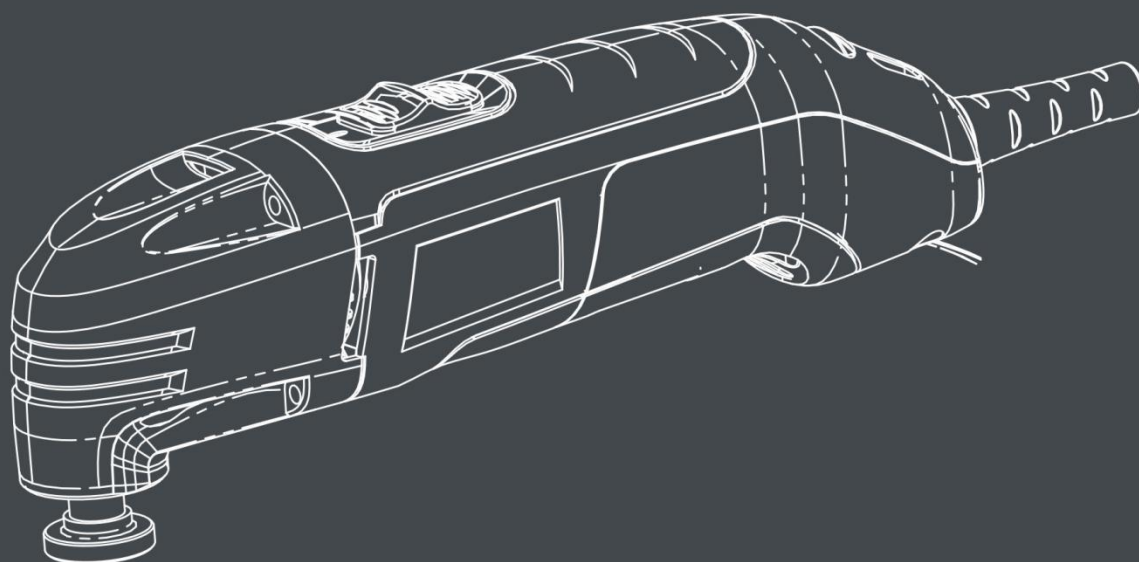


HYUNDAI
POWER PRODUCTS

MULTI TOOL

Model:HSM300-60P

ORIGINAL INSTRUCTIONS



WARNING: Read thoroughly the instruction manual before use.

CONTENTS

1. SAFETY WARNINGS	3
2. YOUR TOOL	6
3. ASSEMBLY	7
4. OPERATION	9
5. MAINTENANCE	11
6. DISPOSAL	12
7. DECLARATION OF CONFORMITY	12
8. WARRANTY	13
9. PRODUCT FAILURE	14
10. WARRANTY EXCLUSIONS	15

1. SAFETY WARNINGS



WARNING Read all safety warnings, instructions, illustrations and specifications provided with this power tool. Failure to follow all instructions listed below may result in electric shock, fire and/or serious injury.

Save all warnings and instructions for future reference.

The term "power tool" in the warnings refers to your mains-operated (corded) power tool or battery-operated (cordless) power tool.

1) Work area safety

2) a) **Keep work area clean and well lit.** *Cluttered or dark areas invite accidents.*

b) **Do not operate power tools in explosive atmospheres, such as in the presence of flammable liquids, gases or dust.** *Power tools create sparks which may ignite the dust or fumes.*

c) **Keep children and bystanders away while operating a power tool.** *Distractions can cause you to lose control.*

2) Electrical safety

a) **Power tool plugs must match the outlet. Never modify the plug in any way. Do not use any adapter plugs with earthed (grounded) power tools.** *Unmodified plugs and matching outlets will reduce risk of electric shock.*

b) **Avoid body contact with earthed or grounded surfaces, such as pipes, radiators, ranges and refrigerators.** *There is an increased risk of electric shock if your body is earthed or grounded.*

c) **Do not expose power tools to rain or wet conditions.** *Water entering a power tool will increase the risk of electric shock.*

d) **Do not abuse the cord. Never use the cord for carrying, pulling or unplugging the power tool. Keep cord away from heat, oil, sharp edges or moving parts.** *Damaged or entangled cords increase the risk of electric shock.*

e) **When operating a power tool outdoors, use an extension cord suitable for outdoor use.** *Use of a cord suitable for outdoor use reduces the risk of electric shock.*

f) **If operating a power tool in a damp location is unavoidable, use a residual current device (RCD) protected supply.** *Use of an RCD reduces the risk of electric shock.*

3) Personal safety

a) **Stay alert, watch what you are doing and use common sense when operating a power tool. Do not use a power tool while you are tired or under the influence of drugs, alcohol**

or medication. A moment of inattention while operating power tools may result in serious personal injury.

b) Use personal protective equipment. Always wear eye protection. *Protective equipment such as a dust mask, non-skid safety shoes, hard hat or hearing protection used for appropriate conditions will reduce personal injuries.*

c) Prevent unintentional starting. Ensure the switch is in the off-position before connecting to power source and/or battery pack, picking up or carrying the tool. *Carrying power tools with your finger on the switch or energising power tools that have the switch on invites accidents.*

d) Remove any adjusting key or wrench before turning the power tool on. *A wrench or a key left attached to a rotating part of the power tool may result in personal injury.*

e) Do not overreach. Keep proper footing and balance at all times. *This enables better control of the power tool in unexpected situations.*

f) Dress properly. Do not wear loose clothing or jewellery. Keep your hair and clothing away from moving parts. *Loose clothes, jewellery or long hair can be caught in moving parts.*

g) If devices are provided for the connection of dust extraction and collection facilities, ensure these are connected and properly used. *Use of dust collection can reduce dust-related hazards.*

h) Do not let familiarity gained from frequent use of tools allow you to become complacent and ignore tool safety principles. *A careless action can cause severe injury within a fraction of a second.*

4) Power tool use and care

a) Do not force the power tool. Use the correct power tool for your application. *The correct power tool will do the job better and safer at the rate for which it was designed.*

b) Do not use the power tool if the switch does not turn it on and off. *Any power tool that cannot be controlled with the switch is dangerous and must be repaired.*

c) Disconnect the plug from the power source and/or remove the battery pack, if detachable, from the power tool before making any adjustments, changing accessories, or storing power tools. *Such preventive safety measures reduce the risk of starting the power tool accidentally.*

d) Store idle power tools out of the reach of children and do not allow persons unfamiliar with the power tool or these instructions to operate the power tool. *Power tools are dangerous in the hands of untrained users.*

e) Maintain power tools and accessories. Check for misalignment or binding of moving parts, breakage of parts and any other condition that may affect the power tool's

operation. If damaged, have the power tool repaired before use. Many accidents are caused by poorly maintained power tools.

f) Keep cutting tools sharp and clean. Properly maintained cutting tools with sharp cutting edges are less likely to bind and are easier to control.

g) Use the power tool, accessories and tool bits etc. in accordance with these instructions, taking into account the working conditions and the work to be performed. Use of the power tool for operations different from those intended could result in a hazardous situation.

h) Keep handles and grasping surfaces dry, clean and free from oil and grease. Slippery handles and grasping surfaces do not allow for safe handling and control of the tool in unexpected situations.

5) Service

a) Have your power tool serviced by a qualified repair person using only identical replacement parts. This will ensure that the safety of the power tool is maintained.

Residual risks

Some dust created by power sanding, sawing, and grinding, drilling, and other construction activities contains chemicals known to cause cancer, birth defects or other reproductive harm.

Some examples of these chemicals are:

- Lead from lead-based paints.
- Crystalline silica from bricks and cement and other masonry products.
- Arsenic and chromium from chemically treated lumber.

Your risk from these exposures varies, depending on how often you do this type of work. To reduce your exposure to these chemicals: work in a well-ventilated area, and work with approved safety equipment, such as those dust masks that are specially designed to filter out microscopic particles. Wear also a correct eyes protection.

Symbols



Refer to the instruction handbook/booklet



Wear eyes protection



Wear ear protection



Wear respiratory protection.



Class II protection

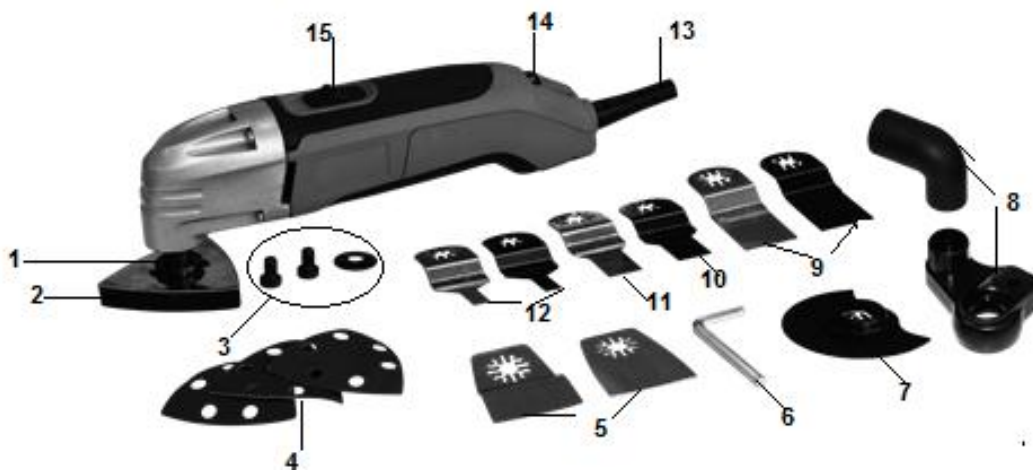
Intended use

This tool is intended to be used for the sanding of little surfaces, corners, edges, for stripping, cutting little pieces in metal, wood or plastics.

Do not use this tool for others purposes. Misuse will create accidents and injuries. It is intended only for a domestic use. Do not use it for commercial purposes.

2. YOUR PRODUCT

a. Description



- | | |
|-----------------------------------|----------------------------------|
| 1. Oscillating spindle | 9. Flush Cutting Blade 1-3/16 |
| 2. Sander pad | 10. Blades for wood and plastics |
| 3. Screws and plate | 11. Blades for wood and plastics |
| 4. Assorted Sandpaper | 12. Blades for wood and plastics |
| 5. Rigid Scraper Blade | 13. Supply cable |
| 6. Wrench | 14. Speed setting |
| 7. HSS Segmented Saw Blade 3-1/8" | 15. Switch ON/OFF |
| 8. Dust extractor | |

b. Technical data

Model	HSM300-60P
Power	300W
Voltage	230-240V~ 50Hz
Sound power level	LwA = 100.2dB(A) K= 3dB(A)
Sound pressure level	LwA= 89.2dB(A) K= 3dB(A)
Vibration	4.464m/s ² K= 1.5 m/s ²
Weight	1.4kg

Information:

- The declared vibration total value has been measured in accordance with a standard test method and may be used for comparing one tool with another;
- The declared vibration total value may also be used in a preliminary assessment of exposure.

Warning:

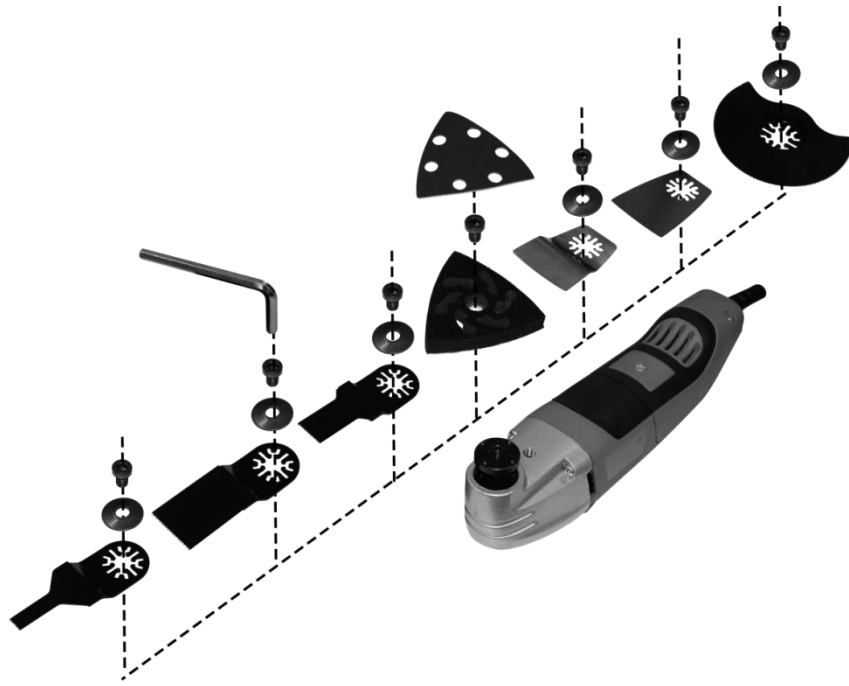
- that the vibration emission during actual use of the power tool can differ from the declared total value depending on the ways in which the tool is used; and
- of the need to identify safety measures to protect the operator that are based on an estimation of exposure in the actual conditions of use (taking account of all parts of the operating cycle such as the times when the tool is switched off and when it is running idle in addition to the trigger time).
- **Wear ear protection**
- **If the supply cord of this power tool is damaged, it must be replaced by a specially prepared supply cord available through the service organization.**

3. ASSEMBLY

NOTE: The tool must be always switched off and unplugged before installation.

a. Installation of accessories

- Unscrew the cap screw with the wrench provided (if the tool is delivered with the screw on the tool).
- Place the accessory on the flange. Be sure that the holes of the accessory are engaged on the 4 pins of the flange. Install the screw in place.
- As shown in below picture, add the screw and the washer except for the sander pad.
- When use the sanding pad, put on it a sanding paper.
- Be sure that the large part of the accessory is placed outside of the tool (as showed in the picture).



b. Dust extractor

- Install the hole of the extractor dust around the flange. Screw it with the provided screw.
- Install the tube on the dust extractor. You will be able to install your vacuum device on it.
- After install the dust extractor, you will be able to install the desired accessory



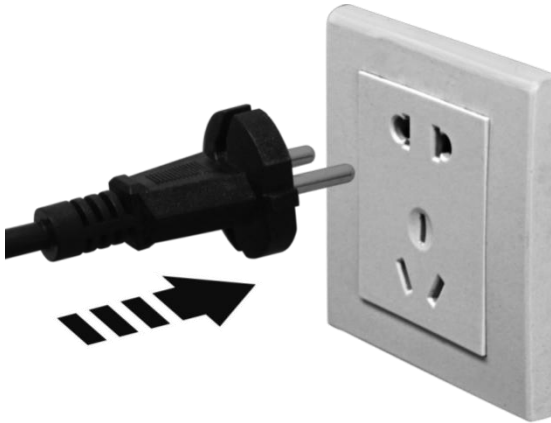
c. Disassembly

- Switch off and unplug the tool
- When use the sander, remove the sanding paper first.
- Use the provided wrench for unscrews the screw. Remove the accessory.

4. OPERATION

a. Starting and stopping

- Be sure that the assembly is correct.
- Plug the tool to a socket.



- Push forward the switch button to start the operation.
- To stop the operation, push backward the switch button.



b. Speed setting

Set the speed of the tool by using the speed setting button.

Start the job by putting this button on 1 and increase the speed according the operation to do.

There are 6 levels of speed, 1 is the lowest and 6 is the highest speed.



c. Applications

Cutting

Use a flush cutting saw blade (or “e-cut blade”) for making precise cuts in tight areas, close to edges, plunge or flush to a surface. It is important not to force the tool during the flush cutting. If you are experiencing a strong vibration in your hand during the cut, it indicates too much pressure on the tool. Back off on the pressure and let the speed of tool do the work. For typical uses for flush cutting saw blade.

NOTE: It is suggested that you have a piece of scrap material supporting the blade when making a flush cut. If you need to rest the blade on a delicate surface, you need to use cardboard or masking tape to protect the surface.

Use the segmented saw blade for making continuous precise cuts in wood, plaster or drywall material. Applications include cutting openings for electrical boxes, repairing flooring, cutting flooring for venting, and more.

Sanding

With sanding accessories, this tool is a detail sander. It is suitable for dry sanding of wood, plastic, and metal surfaces, especially in corners, edges and hard to reach areas.

Tips:

1. Work with the complete surface of the sandpaper, not only with the tip.
2. Sand with continuous motion and light pressure. Do not apply excessive pressure. Let tool do the work.
3. Always secure small work pieces.
4. Select suitable abrasive paper for best results.

Scrapping

Scraper blades are suitable for removing vinyl, varnish, paint layers, carpeting, caulk and other adhesives.

Use a rigid scraper blade to remove harder materials, such as vinyl flooring, carpeting and tile adhesives in a large area.

Use a flexible scraper blade (not included) to remove softer material such as caulk.

Tips:

1. When removing strong, tacky adhesive, grease the scraper blade surface to reduce gumming up.
2. Begin with light pressure. The oscillating motion of accessory only occurs when pressure is applied to the material to be removed.
3. If you are removing caulk from a delicate surface, such as a bath tub or tile back splash, we recommend taping to protect the surface that the blade will rest on.

5. MAINTENANCE AND STORAGE

Maintain your tool regularly. This will keep your tool in good working order and extend its lifespan. Do not use abrasive, caustic agents to clean the tool. These types of products will damage your tool.

Do not perform repairs by yourself. Repairs and inspection must be carried out by a competent person or at an authorized service center (please contact you service dealer).

a. After each use

Check the accessories, cable and body of the tool (cleanliness, wear, damage, etc.). If you notice damage, wear, or malfunction, do not use the tool and bring it to a qualified service for inspection and reparation.

b. Maintenance

There is no specific maintenance to be performed by the user. After each season, please bring the tool to an authorized service center to perform a general cleaning and the following operations:

- Lubrication of the blade
- Mechanical check of motor, spindle, bearings and housing.
- Electrical check.
- Electrical and mechanical performance.

c. Spare Parts

You can order the spare parts directly from our Service Center. Please place your order according to the type of the machine and the parts number given in the explosion drawing.

d. Storage

- After use and cleaning, please store your tool.
- Store the tool in a clean, dry place, preferably in its box.
- During transport and storing always put the protection cover on the blade.
- The tool must be stored away from children and pets.
- Avoid exposing the tool to direct sunlight.

6. DISPOSAL



Electrical products should not be discarded with household products. According to the European Directive 2012/19/EC on waste electrical and electronic equipment and its implementation into national law, electrical products used must be collected separately and disposed of at collection points provided for this purpose. Talk with your local authorities or dealer for advice on recycling.

7. DECLARATION OF CONFORMITY CE



EC Declaration of conformity

BUILDER

32, rue Aristide Bergès - ZI 31270 Cugnaux – France declare that the machine

Designation: MULTIPURPOSE TOOL

Model: HSM300-60P

Serial number: 20210423432-20210423931

Is in conformity with the European Directives:

Machine Directive 2006/42/EC

EMC Directive 2014/30/EU

RoHs Directive (EU)2015/863 amending 2011/65/EU

This product is also in conformity with the following standards:

EN62841-1:2015

EN62841-2-4: 2014

EN 55014-1:2017/A11:2020

EN 55014-2: 2015

EN61000-3-2: 2014

EN61000-3-3: 2013

EN61000-3-3: 2013/A1:2019

Responsible of the technical documentation: Olivier Patriarca

Philippe MARIE / PDG

Cugnaux, 28/01/2021

8. WARRANTY

HYUNDAI

WARRANTY

The manufacturer guarantees the product against defects in material and workmanship for a period of 2 years from the date of the original purchase. The warranty only applies if the product is for household use. The warranty does not cover breakdowns due to normal wear and tear.

The manufacturer agrees to replace parts identified as defective by the designated distributor. The manufacturer does not accept responsibility for the replacement of the machine, in whole or in part, and/or ensuing damage.

The warranty does not cover breakdowns due to:

- insufficient maintenance.
- abnormal assembly, adjustment or operations of the product.
- parts subject to normal wear and tear.

The warranty does not extend to:

- shipping and packaging costs.
- using the tool for a purpose other than that for which it was designed.
- the use and maintenance of the machine done in a manner not described in the user manual.

Due to our policy of continuous product improvement, we reserve the right to alter or change specifications without notice. Consequently, the product may be different from the information contained therein, but a modification will be undertaken without notice if it is recognized as an improvement of the preceding characteristic.

READ THE MANUAL CAREFULLY BEFORE USING THE MACHINE.

When ordering spare parts, please indicate the part number or code, you can find this in the spare parts list in this manual. Keep the purchase receipt; without it, the warranty is invalid. To help you with your product, we invite you to contact us by phone or via our website:

- **+33 (0)9.70.75.30.30**
- **<https://services.swap-europe.com/contact>**

You must create a "ticket" via the web platform.

- Register or create your account.
- Indicate the reference of the tool.
- Choose the subject of your request.
- Describe your problem.
- Attach these files: invoice or sales receipt, photo of the identification plate (serial number), photo of the part you need (for example: pins on the transformer plug which are broken).



9. PRODUCT FAILURE

WHAT TO DO IF MY MACHINE BREAKS DOWN?

If you bought your product in a store:

- a) Empty the fuel tank.
- b) Make sure that your machine is complete with all accessories supplied, and clean! If this is not the case, the repairer will refuse the machine.

Go to the store with the complete machine and with the receipt or invoice.

If you bought your product on a website:

- a) Empty the fuel tank.
- b) Make sure that your machine is complete with all accessories supplied, and clean! If this is not the case, the repairer will refuse the machine.
- c) Create a SWAP-Europe service ticket on the site: <https://services.swap-europe.com> When making the request on SWAP-Europe, you must attach the invoice and the photo of the nameplate (serial number).
- d) Contact the repair station to make sure it is available before dropping off the machine.

Go to the repair station with the complete machine packed, accompanied by the purchase invoice and the station support sheet downloadable after the service request is completed on the SWAP-Europe site

For machines with engine failure from manufacturers BRIGGS & STRATTON, HONDA and RATO, please refer to the following instructions.

Repairs will be done by approved engine manufacturers of these manufacturers, see their site:

- <http://www.briggsandstratton.com/eu/fr>
- <http://www.honda-engines-eu.com/fr/service-network-page;jsessionid=5EE8456CF39CD572AA2AEEDFD290CDAE>
- <https://www.rato-europe.com/it/service-network>

Please keep your original packaging to allow for after-sales service returns or pack your machine with a similar cardboard box of the same dimensions.

For any question concerning our after-sales service you can make a request on our website <https://services.swap-europe.com>

Our hotline remains available at +33 (9) 70 75 30 30.



10. WARRANTY EXCLUSIONS

THE WARRANTY DOES NOT COVER:

- Start-up and setting up of the product.
- Damage resulting from normal wear and tear of the product.
- Damage resulting from improper use of the product.
- Damage resulting from assembly or start-up not in accordance with the user manual.
- Breakdowns related to carburetion beyond 90 days and fouling of carburetors.
- Periodic and standard maintenance events.
- Actions of modification and dismantling that directly void the warranty.
- Products whose original authentication marking (brand, serial number) has been degraded, altered or withdrawn.
- Replacement of consumables.
- The use of non-original parts.
- Breakage of parts following impacts or projections.
- Accessories breakdowns.
- Defects and their consequences linked to any external cause.
- Loss of components and loss due to insufficient screwing.
- Cutting components and any damage related to the loosening of parts.
- Overload or overheating.
- Poor power supply quality: faulty voltage, voltage error, etc.
- Damages resulting from the deprivation of enjoyment of the product during the time necessary for repairs and more generally the costs related to the immobilization of the product.
- The costs of a second opinion established by a third party following an estimate by a SWAP-Europe repair station
- The use of a product which would show a defect or a breakage which was not the subject of an immediate report and/or repair with the services of SWAP-Europe.
- Deterioration linked to transport and storage*.
- Launchers beyond 90 days.
- Oil, petrol, grease.
- Damages related to the use of non-compliant fuels or lubricants.

* In accordance with transport legislation, damage related to transport must be declared to carriers within 48 hours maximum after observation by registered letter with acknowledgement of receipt.

This document is a supplement to your notice, a non-exhaustive list.

Attention: all orders must be checked in the presence of the delivery person. In case of refusal by the delivery person, it you must simply refuse the delivery and notify your refusal.

Reminder: the reserves do not exclude the notification by registered letter with acknowledgement within 72 hours.

Information:

Thermal devices must be wintered each season (service available on the SWAP-Europe site). Batteries must be charged before being stored.

HYUNDAI
POWER PRODUCTS

For Inquiries, Please Contact:

BUILDER SAS
32, rue Aristide Bergès Z1 31270 Cugnaux, France
Tel. +33 (0) 5.34.502.502 Fax: +33 (0) 5.34.502.503
<http://www.hyundaipower-fr.com/>
Made in PRC